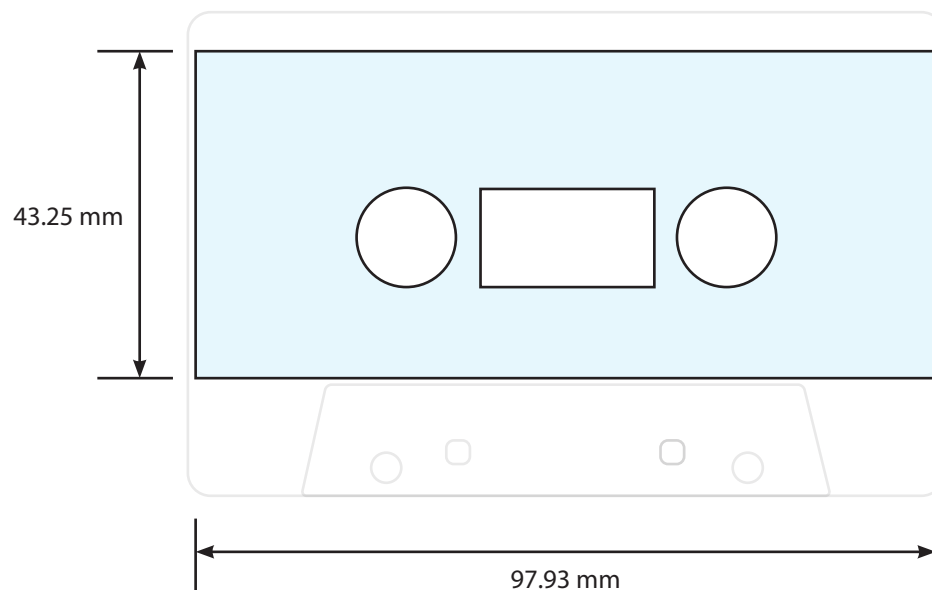




TEMPLATE: Cassette Onbody - Standard Area



### SIDE A



---

**KEY**



Cassette Print Area

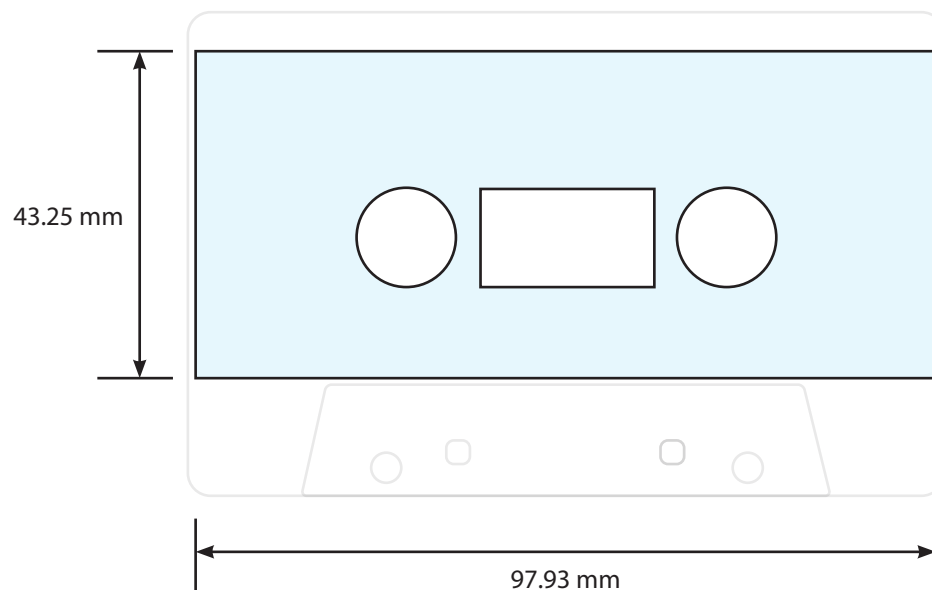
Please click [here](#) for useful information on how best to set up and supply your artwork.  
For any further questions please email our design team [here](#).



TEMPLATE: Cassette Onbody - Standard Area



## SIDE B



---

### KEY



Cassette Print Area

Please click [here](#) for useful information on how best to set up and supply your artwork.  
For any further questions please email our design team [here](#).