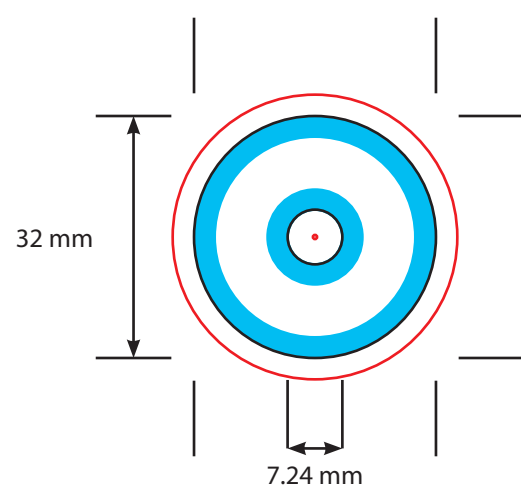


SIDE A



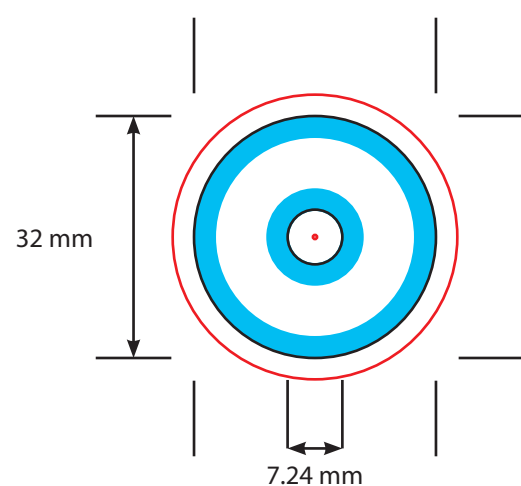
KEY

- Trim Line
- - - - Inner Vinyl Ridge (Not a cutting line)
- 3mm Safety Area - *Important text and logos should not be in this area.*
- 3mm Required Bleed Area - *Background should extend to this line.*





Please click [here](#) for useful information on how best to set up and supply your artwork.

For any further questions please email our design team [here](#).

SIDE B



KEY

-  Trim Line
-  Inner Vinyl Ridge (Not a cutting line)
-  3mm Safety Area - *Important text and logos should not be in this area.*
-  3mm Required Bleed Area - *Background should extend to this line.*

Please click [here](#) for useful information on how best to set up and supply your artwork.

For any further questions please email our design team [here](#).